



**Product technical sheet**

**HOOP 0720**



3 - 12 years



21 kids



24,2 m<sup>2</sup>

**Material specification**

- Powder galvanized and powder coated steel construction,
- Platforms made of durable anti-slip and waterproof HPL plate,
- Steel ropes in polypropylene braid, connected with durable plastic elements, stainless steel or aluminum,
- Screws covered with plastic caps and/or stainless steel screws,



**Physical development**



community

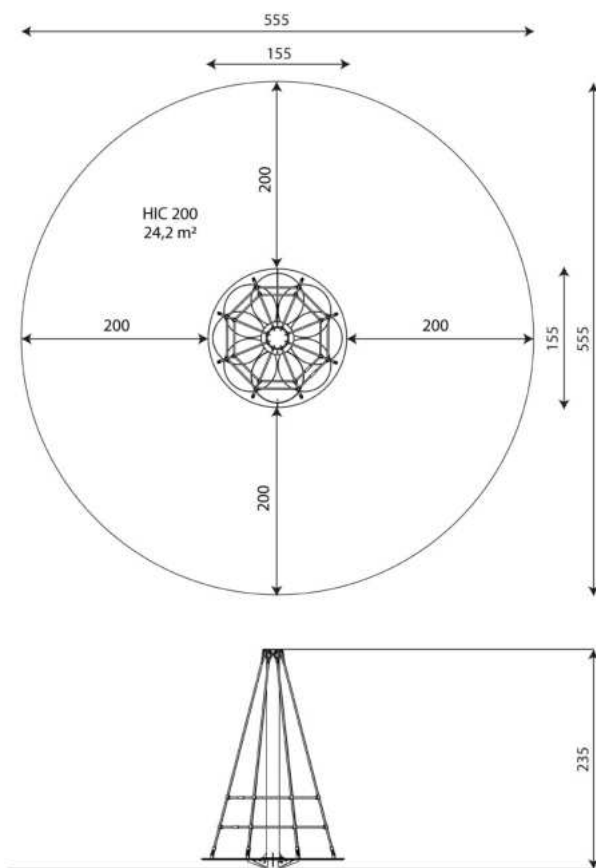


climbing



spinning





## Product technical sheet

# HOOP 0720

### Product data

Length	155 cm
Width	155 cm
Total height	235 cm
Age group	3 - 12 years
Number of users	21 kids
Safety zone	24,2 m <sup>2</sup>
Free fall height	200 cm
In accordance with norm EN	1176-1:2017
Weight of the heaviest part	28 kg
Dimensions of the largest part	299x13x13 cm
Availability of spare parts	YES
Installation time	2,5 h
Color options	

Data is subject to change without prior notice.

### Additional information

- equipment intended for public playgrounds;
- equipment has a certificate issued by an accredited entity or a declaration of conformity;
- no sharp edges or chinks that would pose a danger of jimmieing the head, fingers or any other body parts;
- anchoring on flat surface, 80/70/60 cm deep;
- anchoring on flat surface, 80 cm deep;
- render is for reference only, the actual appearance of the equipment and its color may vary;

## Guarantee

**30**

30 year guarantee - Structural strength of steel and stainless steel components

**15**

15 year guarantee - Structural failure of steel and stainless steel, for dynamic equipment

**10**

10 year guarantee - Structural failure of high density polyethylene and high pressure laminates components

**5**

5 year guarantee - Corrosion of stainless steel and hot dip galvanized and powder coated components; against bark beetles and rot in case of wooden structural elements

Detailed information in the guarantee card



# HOOP 0720

## Surfaces according to EN 1176-1:2017

	Description (mm)	Layer thickness (cm)	Maximum fall heights (cm)
Turf/ top layer of soil (A,B,C)	-	-	≤100
bark (A,C)	Particle size from 20 to 80	30	≤200
		40	≤300
woodchips (A,C)	Particle size from 5 to 30	30	≤200
		40	≤300
sand or gravel (A,C)	Particle size from 0,25 to 8	30	≤200
		40	≤300
synthetic attested (A,B,C)	Tested according to EN 1177		200

### Amount of safe surface corresponding with free fall height:

HIC 200 24,2 m<sup>2</sup>

Data is subject to change without prior notice.

