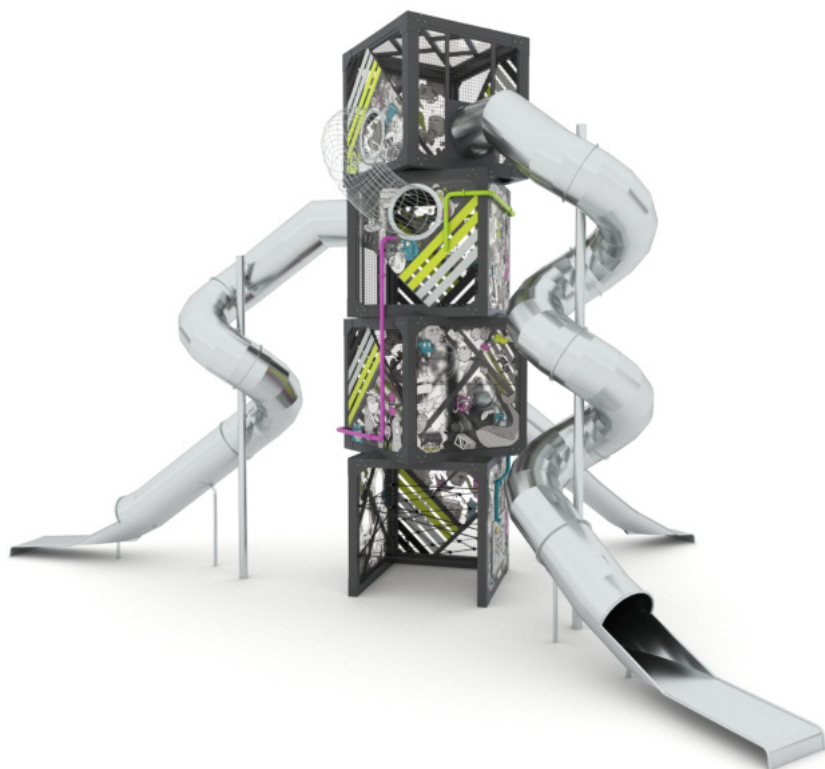


# QUBIX 2505



4 - 14 years



47 kids



73,5 m<sup>2</sup>



## Material specification

- Hot-dip galvanized and powder coated construction of 140x140 mm profile,
- Transparent polycarbonate panels with a weather-resistant print,
- Covers made of hot-dip galvanized and powder coated steel mesh,
- Side panels made of durable HPL plate, resistant to weather conditions,
- Stainless steel tube slide,
- Moving elements made of durable HPL plate, resistant to weather conditions,
- Spherical windows made of polycarbonate,
- Musical panels made of stainless steel pipes, with a paddle made of certified, safe rubber attached,
- "Talking pipe" - a pipe made of hot-dip galvanized and powder-coated steel,
- Steel ropes in polypropylene braid, connected with durable plastic elements, stainless steel or aluminum,
- Calibrated stainless steel chains, preventing fingers entrapment,
- Stainless steel screws and/or screws covered with plastic caps,



### Facilitating disability



sound stimulation



shelters



integration



### Intellectual development



manipulation



music



thinking



### Physical development



sliding



climbing





**3**  
number of  
slides



**4**  
number of  
interactive  
elements

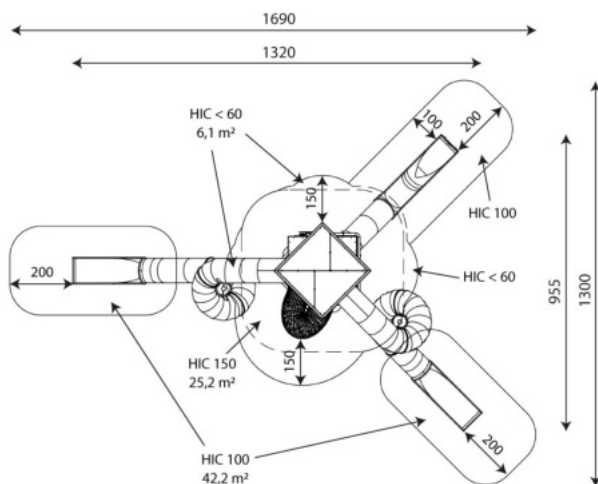


**6**  
number of activity  
elements

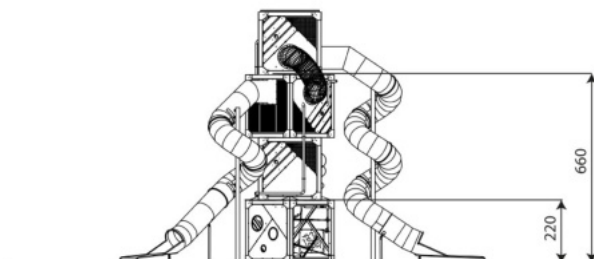
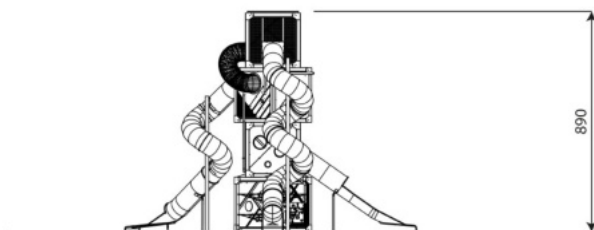
**Product technical sheet**

**QUBIX 2505**

**Product data**



73,5 m²



Length	1320 cm
Width	955 cm
Total height	890 cm
Age group	4 - 14 years
Number of users	47 kids
Safety zone	73,5 m²
Free fall height	150 cm
The height of the platforms	220, 660 cm
tube slide platform height	220, 560, 660 cm
In accordance with norm EN	1176-1:2017
Weight of the heaviest part	216 kg
Dimensions of the largest part	498x327x86 cm
Availability of spare parts	YES
Installation time	8 h

Data is subject to change without prior notice.

**Additional information**

- equipment adapted for the disabled; intended for public playgrounds;
- equipment has a certificate issued by an accredited entity or a declaration of conformity;
- no sharp edges or chinks that would pose a danger of jimmie the head, fingers or any other body parts;
- anchoring on flat surface, 80/70/60 cm deep;
- slide should not be installed southwards;
- render is for reference only, the actual appearance of the equipment and its color may vary;

**Guarantee**

**30** 30 year guarantee - Structural strength of steel and stainless steel components

**15** 15 year guarantee - Structural failure of steel and stainless steel, for dynamic equipment

**10** 10 year guarantee - Structural failure of high density polyethylene and high pressure laminates components

**5** 5 year guarantee - Corrosion of stainless steel and hot dip galvanized and powder coated components; against bark beetles and rot in case of wooden structural elements

Detailed information in the guarantee card



## Surfaces according to EN 1176-1:2017

	Description (mm)	Layer thickness (cm)	Maximum fall heights (cm)
Turf/ top layer of soil (A,B,C)	-	-	≤100
bark (A,C)	Particle size from 20 to 80	30	≤200
		40	≤300
woodchips (A,C)	Particle size from 5 to 30	30	≤200
		40	≤300
sand or gravel (A,C)	Particle size from 0,25 to 8	30	≤200
		40	≤300
synthetic attested (A,B,C)	Tested according to EN 1177		150

## Product technical sheet

# QUBIX 2505

### Amount of safe surface corresponding with free fall height:

HIC <60	6,1 m <sup>2</sup>
HIC 100	42,2 m <sup>2</sup>
HIC 150	25,2 m <sup>2</sup>

Data is subject to change without prior notice.

