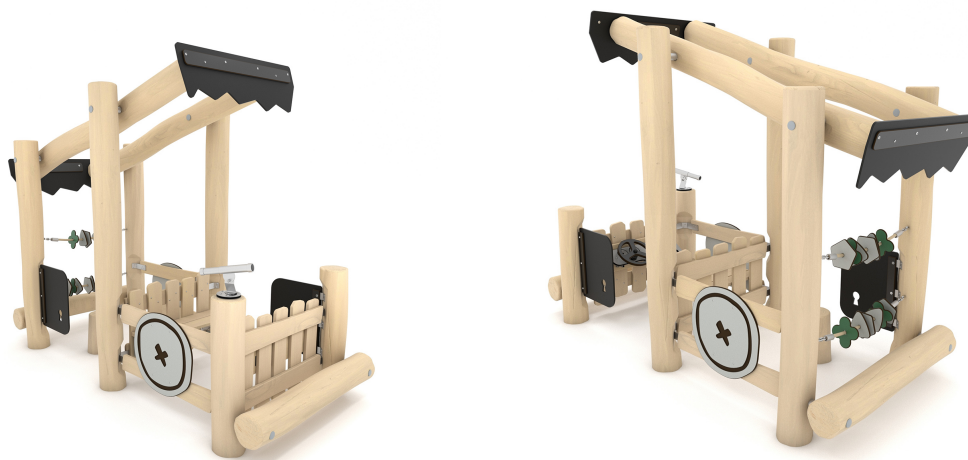
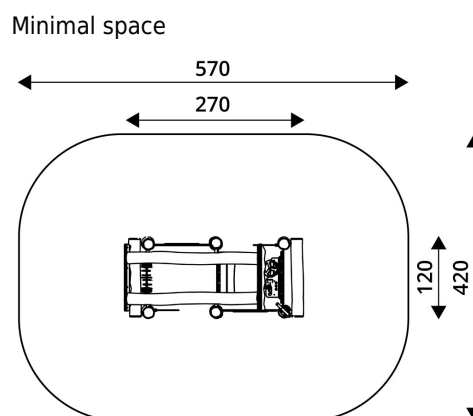


ROBINIA RB1241 PLAYGROUND EQUIPMENT



| Device Specifications | |
|------------------------------------|-------------------|
| Safety zone | 22 m ² |
| Lenght | 270 cm |
| Width | 120 cm |
| Total height | 210 cm |
| Free fall height | < 60 cm |
| Age area | 1-8 years |
| In accordance with EN standard | 1176-1:2017 |
| Weight of the heaviest part [kg] | 58 kg |
| Dimension of the biggest part [cm] | 250x18x18 |
| Availability of spare parts | Yes |



MATERIAL SPECIFICATION

- Construction made of Robinia - very durable acacia wood with a diameter of ~ 18 cm without sharp edges, resistant to weather conditions,
- Side panels and seats made of Robinia - very durable acacia wood, resistant to weather conditions,
- Moving elements, windows made of durable, waterproof HPL plates,
- Telescope made of stainless steel and HDPE plate, resistant to weather conditions,
- Dashboard and steering wheel made of HDPE plate, resistant to weather conditions,
- Rubber roof and rubber doors with textile reinforcement,
- Stainless steel and/or galvanized steel screws,
- Screws covered with plastic caps or stainless steel screws.

ADDITIONAL COMMENTS

- equipment intended for public playgrounds,
- equipment has a certificate issued by an accredited entity or a declaration of conformity,
- no sharp edges or chinks that would pose a danger of jimming the head, fingers or any other body parts,
- anchoring on flat surface, 80/70/60 cm deep,
- render is for reference only, the actual appearance of the equipment and its color may vary. **SURFACES**Due to the free fall height of the equipment, the EN 1176-1:2017 standard allows the following surfaces: turf/ soil (A,B,C), sand with minimal layer thickness of 30 cm (A,C), synthetic material approved for free fall of 0,60 m.

