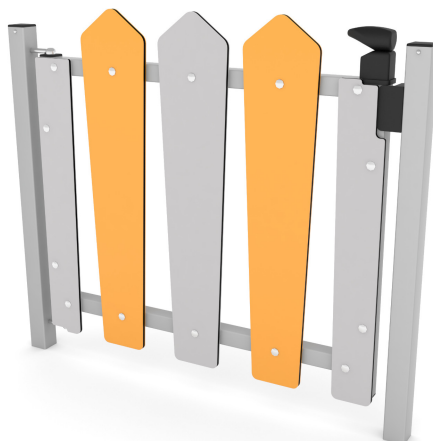
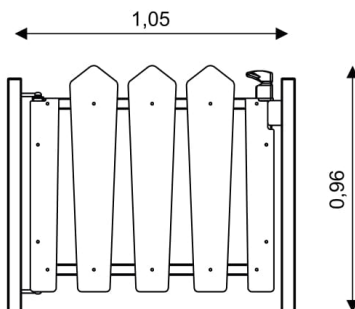


PARK 0927 **GATEWAY**



Length	1,05 m
Total height	0,90 m

Minimal space



Material Specification

- Galvanized steel construction;
- Colorful elements made of weather condition resistant HPL plates;

Additional comments

• The equipment is designed for public playgrounds;The equipment render is of an illustrative nature and shows only the general specification of the equipment, but not its actual appearance. The colours may differ from those demonstrated on render.

