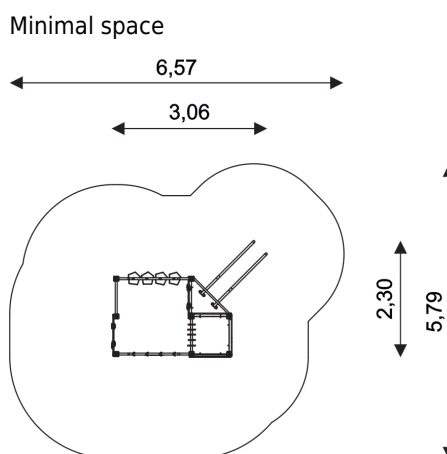


WOODEN WD1439

PLAYGROUND EQUIPMENT



Safety zone	30,10 m <sup>2</sup>
Length	3,06 m
Width	2,30 m
Total height	2,30 m
Free fall height	2,20 m
Age range	3-14 years
In accordance PN-EN standards	1176-1:2017
Weight of the heaviest part [kg]	30
Dimension of the biggest part [cm]	233x69x15
Availability of spare parts	Yes



**MATERIAL SPECIFICATION**

- 90x90 mm main construction made of impregnated, laminated wood of pine;
- Metal anchors are made of hot dip galvanized steel, protecting from direct contact with the ground to prevent rot and extending the product's life;
- Durable, anti-slip and waterproof platforms and climbing walls made of HPL;
- Platforms made of metal, hot-drip galvanized and powder coated;
- Roofs and panels are made of atmospheric condition resistant HDPE plates;
- Screws covered with plastic caps or made of stainless steel;
- Stainless steel bars and handrails;
- Steel ropes braided with PP, connected by durable plastic elements;
- Climbing grips made of polyethylene board HDPE;

**ADDITIONAL COMMENTS**

- Depth of foundations on a flat surface 80/70/60 cm;
- No sharp edges or chinks that would pose a danger of jinning the head, fingers or any other body parts;
- The equipment is designed for public playgrounds;
- The equipment render is of an illustrative nature and shows only the general specification of the equipment, but not actual appearance;
- The equipment is certified by an accrediting organization or by certificate of conformity;

**SURFACES**

Due to the free fall height of the equipment, the PN-EN 1176-1:2017 standard allows the following surfaces: turf/ soil (A,B,C), sand with minimal layer thickness of 40 cm (A,C), synthetic material approved for free fall of 2,20 m (A,B,C).

