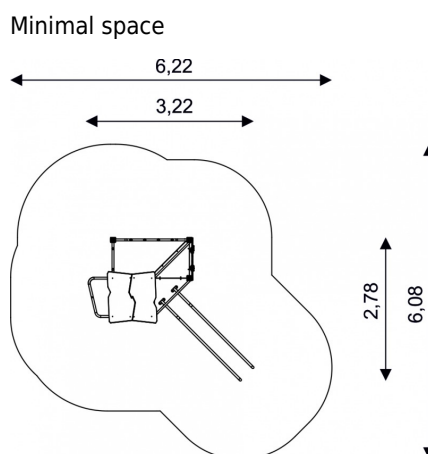


WOODEN WD1449

PLAYGROUND EQUIPMENT



Safety zone	27,68 m ²
Length	3,22 m
Width	2,78 m
Total height	3,67 m
Free fall height	2,20 m
Age range	3-14 years
In accordance PN-EN standards	1176-1:2017
Weight of the heaviest part [kg]	8
Dimension of the biggest part [cm]	317x9x9
Availability of spare parts	Yes



MATERIAL SPECIFICATION

- 90x90 mm main construction made of impregnated, laminated wood of pine;
- Metal anchors are made of hot dip galvanized steel, protecting the wood from direct contact with the ground to prevent rot and extending the product's life;
- Durable, anti-slip and waterproof platforms and climbing walls made of HPL;
- Platforms made of metal, hot-drip galvanized and powder coated;
- Roofs and panels are made of atmospheric condition resistant HPL plates;
- Screws covered with plastic caps or made of stainless steel;
- Stainless steel bars and handrails;
- Double-walled pipe tunnel made of PP polypropylene;
- Slides and fireman's pole made of stainless steel;
- Steel ropes braided with PP, connected by durable plastic elements;
- Climbing grips made of polyethylene board HDPE;

ADDITIONAL COMMENTS

- Depth of foundations on a flat surface 80/70/60 cm;
- No sharp edges or chinks that would pose a danger of jimmie the head, fingers or any other body parts;
- The equipment is designed for public playgrounds;
- The equipment render is of an illustrative nature and shows only the general specification of the equipment, but not actual appearance;
- Slides should not be installed southwards;
- The equipment is certified by an accrediting organization or by certificate of conformity;

SURFACES Due to the free fall height of the equipment, the PN-EN 1176-1:2017 standard allows the following surfaces: turf/soil (A,B,C), sand with minimal layer thickness of 40 cm (A,C), synthetic material approved for free fall of 2,20 m (A,B,C).

